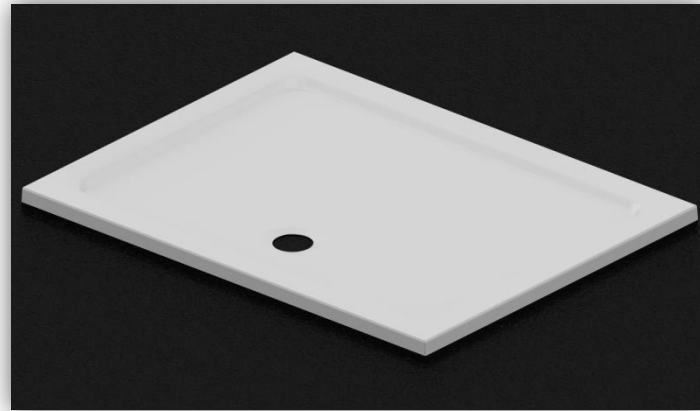


Model: **FLAT 120 X 80 RECTANGULAR**  
 Item Code: **IST023.SWHITE**

Item dimensions (cm): **120 x 80 x 3**  
 Item weight (kg): **8,5**

Pallet dimensions (cm): **85 x 125 x 205**  
 Pallet gross weight (kg): **490**  
 Quantity per pallet (pcs): **55**

Quantity per box (pcs): **1**



### Technical characteristics

MASPI's products are made with a special technology which allows us to produce structural items with very high thicknesses, avoiding any surface flaws such as suction marks

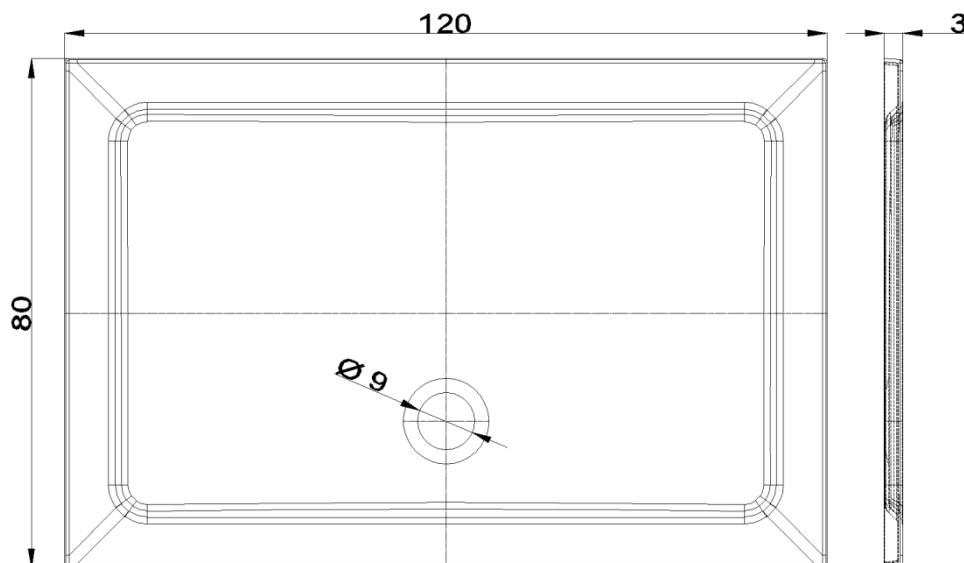
Our products are in **Restylon®-S**, a *Structural Technopolymer*. This material provides the following characteristics: high stiffness, high thickness, good impact resistance, high gloss, antistatic behaviour, excellent UV-resistance, good scratch resistance, good chemical resistance to common detergents, smooth surface and high dimensional stability in a wide range of temperatures (from -30°C up to + 70°C). The product is also completely recyclable at the end its life.

### Features

The structure of our items is based on two components: a selected recycled and compatible material in the core and a high quality Acryl-Styrene compound on the surface. Its composite structure combines solidity, beautiful appearance, high impact resistance and a warm and smooth surface. Moreover, it guarantees colour stability.

### Guarantee

Our items are guaranteed for 5 years; we provide the customer with some basic instructions for cleaning. It is important NOT to use any abrasive and/or hard or sharp edged tools while cleaning the surface of the product. Water, a soft sponge and a non-aggressive soap will assure cleaning without any damage to the surface.



**Maspi S.r.l.**

Via Castegnate, 86 - 24030 Terno d'Isola (BG) Italy

Tel.: +39 035 49 44 117 - +39 035 49 44 118 Fax.: +39 035 49 44 696 e-mail: maspi@maspi.it